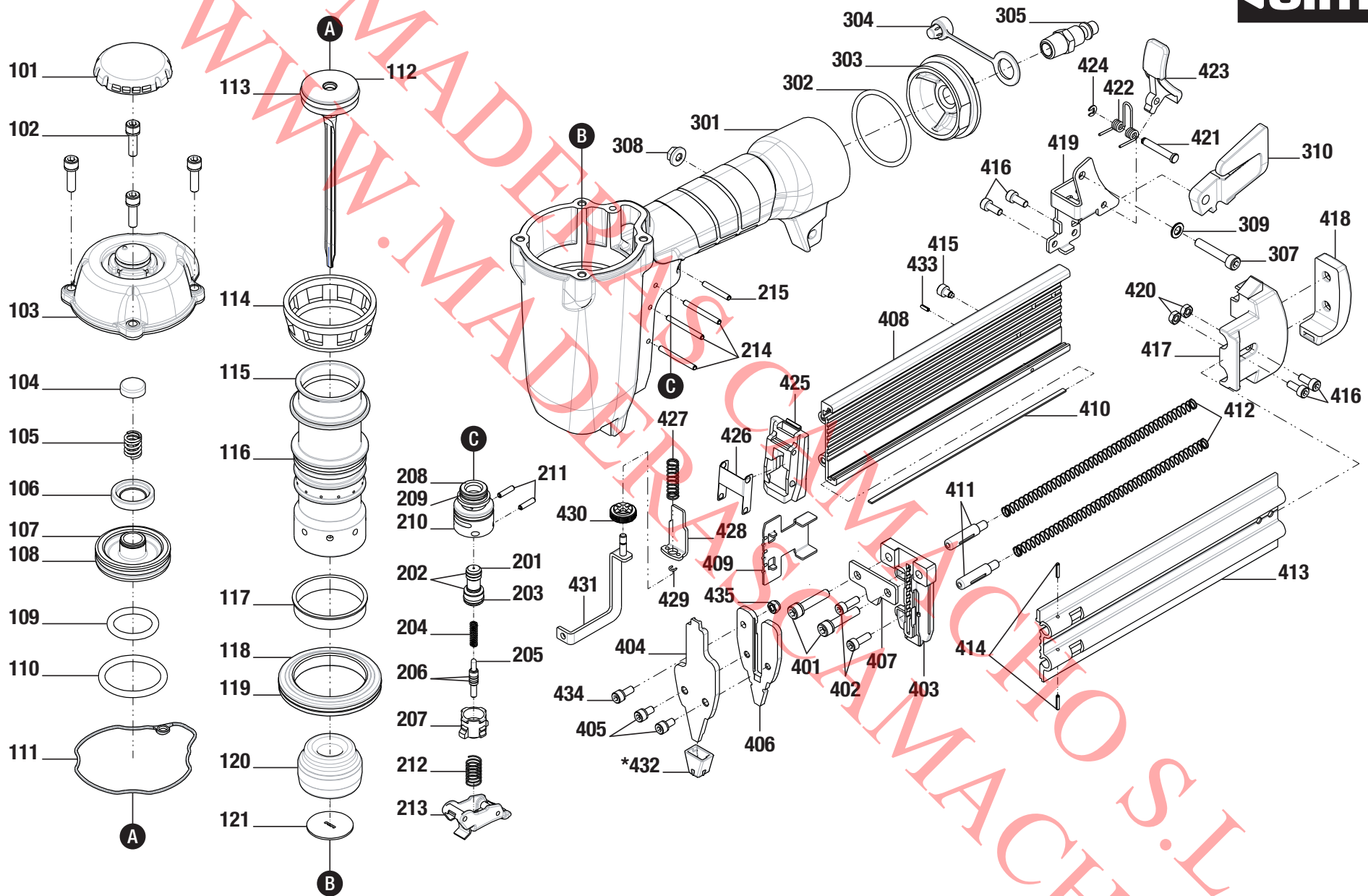


NUM.	REF.	DESC.	NUM.	REF.	DESC.
101	18350101	DEFLECTOR	308	130417	BOLT CAP
102	18350102	BOLT ASSY	309	2515124	FLAT WASHER
103	18350103	CAP	310	18350310	SPRING RETAINER
104	18350104	SEAL	401	15364401	BOLT ASSY
105	18350105	COMPRESSION SPRING	402	3464431	HEX.SOC.HD.BOLT
106	18350106	OIL SEAL	403	18350403	DRIVER GUIDE
107	18350107	HD.VALVE PISTON	404	18350404	DRIVER GUIDE COVER
108	18350108	O - RING	405	18350405	BOLT ASSY
109	18350109	O - RING	406	18350406	DRIVER GUIDE
110	18350110	O-RING	407	18350407	DRIVER GUIDE COVER A
111	18350111	PACKING	408	18350408	MAGAZINE A
112	18350112	DRIVER UNIT	409	18350409	PUSHER
113	18350113	O - RING	410	18350410	FLAT BAR
114	18350114	CYLINDER PRESS RING	411	18350411	SHAFT
115	18350115	CYLINDER	412	18350412	PUSHER SPRING
116	18350116	O - RING	413	18350413	MAGAZINE B
117	15364121	CYLINDER RING	414	9725402	SPRING PIN
118	18350118	CYLINDER SPACER	415	18350415	SCREW
119	15364119	O - RING	416	7116410	HEX.SOC.HD.BOLT
120	15364122	BUMPER	417	18350417	REAR PLATE
121	18350121	DRIVER GUIDE	418	18350418	PROTECTING HOOD COVER
201	7150204	VALVE PLUNGER	419	18350419	POSITIONING SHEET
202	7150205	O - RING	420	18350420	NUT
203	7150206	O - RING	421	18350421	LATCH PIN
204	7150207	SPRING	422	9725416	SPRING
205	7150208	PLUNGER	423	18350423	LATCH
206	7150209	O - RING	424	9920429	E - RING
207	7150210	TRIGGER VALVE HEAD	425	18350425	SAFETY GUIDE
208	7150203	PLUNGER CAP	426	18350426	SAFETY DRIVER GUIDE
209	7150201	O - RING	427	18350427	SAFETY SPRING
210	7150202	O - RING	428	18350428	SAFETY B
211	7150211	SPRING PIN	429	18350429	RING
212	645208	SPRING	430	15364436	ADJUST AXIE
213	18350213	TRIGGER UNIT	431	18350431	SAFETY B UNIT
214	7150213	SPRING PIN	432*	18350432	PROTECTIVE CASING
215	7150212	SPRING PIN	433	18350433	SPRING PIN
301	18350301	GUN BODY UNIT	434	18350434	BOLT ASSY
302	7150303	O - RING	435	15364435	LOCK NUT
303	2264303	END CAP	301	18350301	GUN BODY UNIT
307	130420	HEX.SOC.HD.BOLT			



simB183 | Explosionado - Exploded view