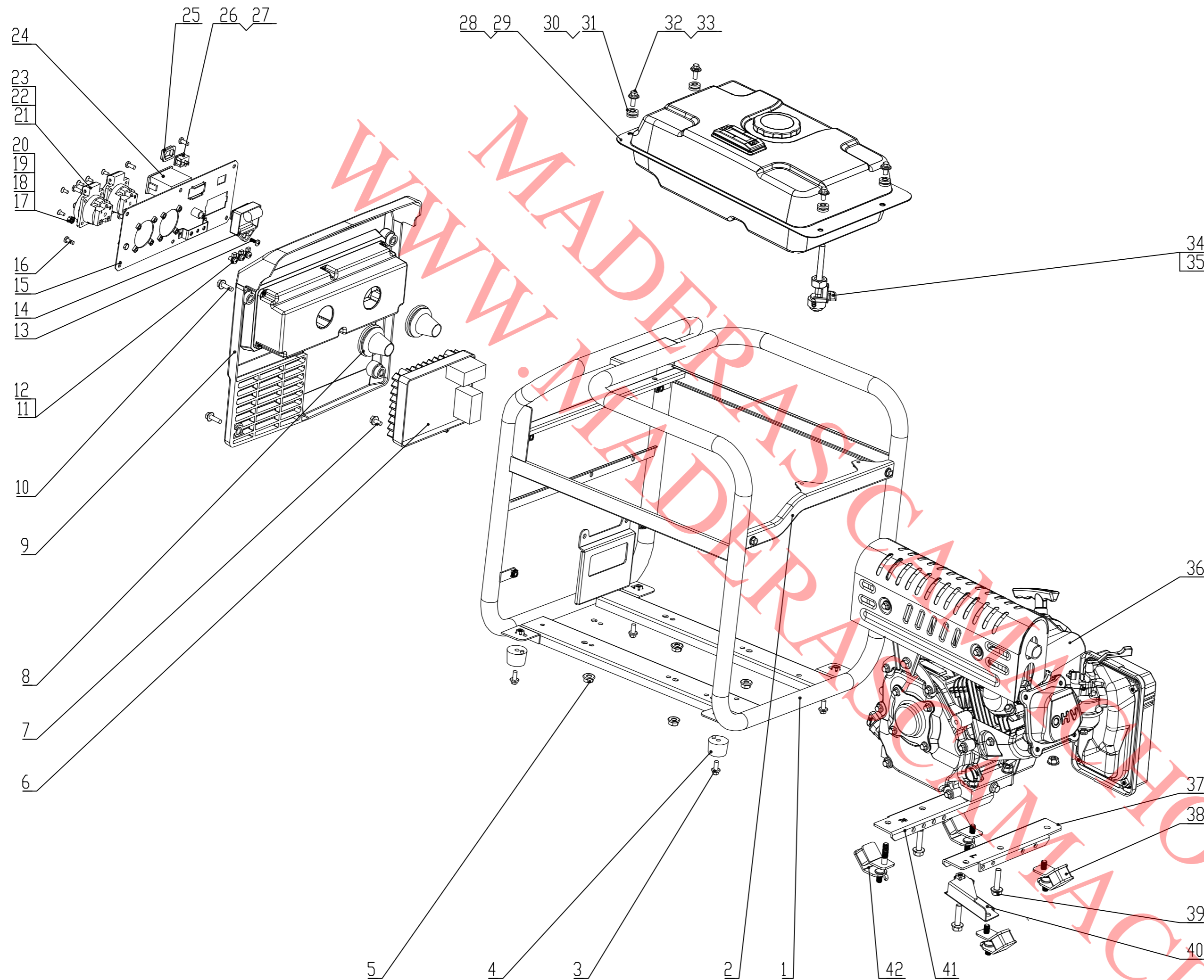


00000088E9



36	6383000200	Engine assembly	1	
35	63265000600	Clamp	1	
34	67015001400	fuel cock	1	
33	70600003100	washer	4	
32	70100003000	bolts,flange	4	
31	63815001600	fuel tank bushing	4	
30	63814000700	vibration-proof rubber,Fuel tank	4	
29	63804001500	silver paper	1	
28	63835000300	fuel tank	1	
27	63806000500	Flameout wire harness	1	
26	61013003400	waterproof cap	1	
25	61016000500	engine stop switch	1	
24	63886000200	Timer	1	
23	63836000300	AC output harness	1	
22	70300001200	screw,countersunk	8	
21	61016000800	AC socket	2	
20	70200000200	nut,hexagon	1	
19	70600000800	washer,spring	1	
18	70600000500	washer	1	
17	70600000600	washer,serrated	1	
16	70300002200	screw,cross pan head	6	
15	63835000100	electrical plate assy	1	
14	62016000100	pilot light assy	1	
13	70300002300	screw,cross pan head	1	
12	70600000900	washer,serrated	3	
11	70300001300	screw,cross pan head	3	
10	70100001700	bolts,flange	4	
9	63803000200	Electrical installation box	1	
8	67204000100	Rubber sleeve	2	
7	70100000200	bolts,flange	5	
6	63836000200	AC-AC controller	1	
5	70200001700	nut,flange	10	
4	63814000400	rubber feet,whole machine	4	
3	70100002000	bolts,flange	4	
2	63805001000	Tank baffle	1	
1	63805000200	Chassis	1	

NO.	PART NO.	PART NAME	QTY	NOTE
42	63815000500	mounting bar,engine installation(R)	1	
41	63814000300	shock absorber(long)	1	
40	63815001800	Damper connecting plate	1	
39	70100005700	bolts,flange	3	
38	63014000400	shock absorber	3	
37	63815000400	mounting bar,engine installation(L)	1	

普通零件登记
插图
校核
图号
签字
日期

HEYA 重庆和亚科技有限公司
Chongqing Heya Technology Co.,LTD.

发电机组
63880000000
1:5
共 1 页 第 1 页 版本号 0